

JMS AG
 Jet Maintenance & Service
 Rainer-Haungs-Strasse 42
 77933 Lahr/Germany
 Phone +49 (7821) 9 94 69 – 0
 Fax +49 (7821) 9 94 69 – 100



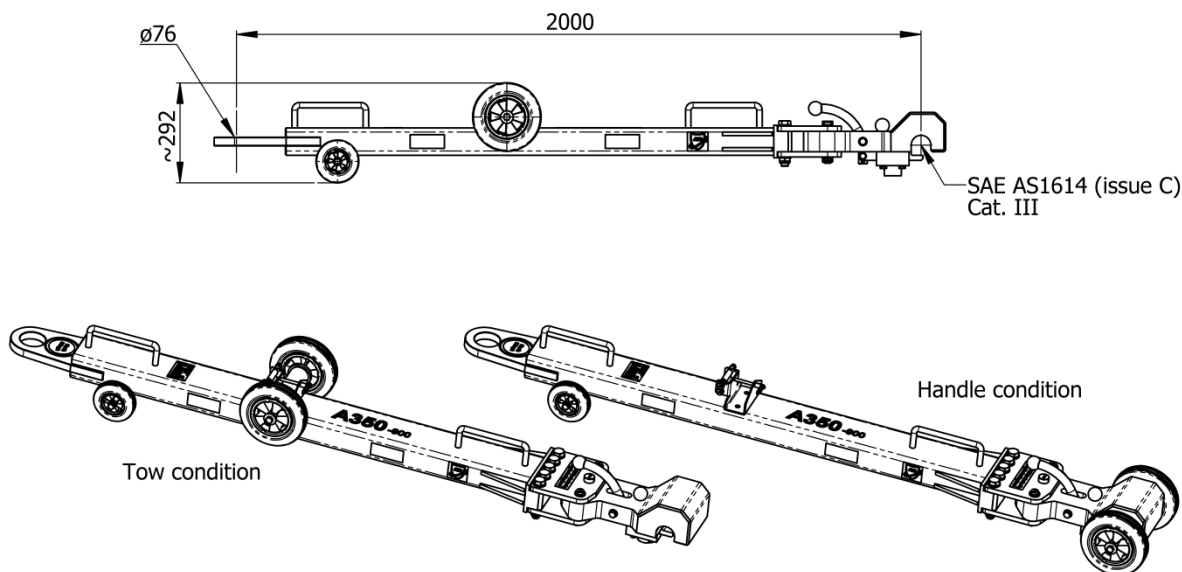
Internet: <http://www.jms.aero/>
 eMail: <mailto:sales@jms.aero>

HRB 705130 Amtsgericht Freiburg i.Br.
 VAT Reg No/USSt.-IdNr.: DE270217003

Doc. No. TDS J-TOW350-T_R00.docx

Datasheet:

p/n: J-TOW350-T



Standard features:

- Push/Pull and torque shear pin
- 2 spare shear pins included
- Retaining pin
- Steel rectangular tube
- Aluminium towhead for coupling from above
- Rigid tow eye, 3" (76mm)
- Two wheels at each end (in handle condition)
- Skydrol resistant paint
- Standard color yellow RAL 1007

Options (at extra charges):

- Transportation Box – P/N J-TOW350-TB
 - Material: Multiplex panel V100
 - l x w x h: 2200 x 400 x 430mm
86.6 x 15.7 x 16.9 inch
 - Weight: 25kg / 55lbs
- Transportation Box – P/N J-TOW350-TBA
 - Material: Aluminium
 - l x w x h: 2200 x 400 x 430mm
86.6 x 15.7 x 16.9 inch
 - Weight: 35kg / 77lbs
- Customized color for Towbar / Box i.a.w. RAL coding

Aircraft application:

- A350 -900

Documentation:

- Technical manual incl. illustrated spare parts list
- COC Certificate of Conformity
- CE Declaration of Conformity (if applicable)

Net weight:

- 70 kg / 154 lbs

Shear pins:

- 20-00260-0020-022 "AR" Push/Pull and Torque
- 20-00260-0020-021 "AR-FB" Retaining pin

Shipping information incl. packing (without the JMS- Transportation Box):

| Approx. Weight | Approx. shipping Dims l x w x h | Approx. Volume |
|----------------|------------------------------------|--------------------|
| [kg] | [mm] | [m ³] |
| 95 | 2200 x 350 x 450 | 0,34 |
| [lbs] | [inch] | [ft ³] |
| 209 | 87 x 14 x 18 | 12 |

We reserve the right to update this datasheet at any time w/o prior notice!