

JMS AG
Jet Maintenance & Service
Rainer-Haungs-Strasse 42
77933 Lahr/Germany
Phone +49 (7821) 9 94 69 – 0
Fax +49 (7821) 9 94 69 – 100



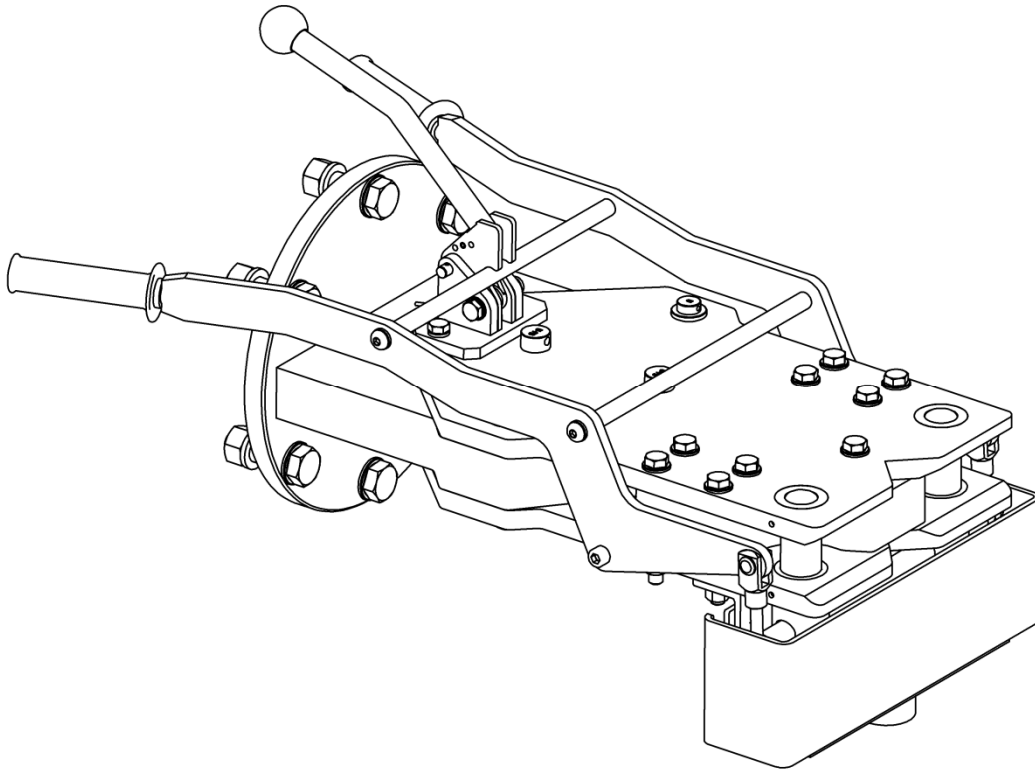
Internet: <http://www.jms.aero/>
eMail: <mailto:sales@jms.aero>

HRB 705130 Amtsgericht Freiburg i.Br.
VAT Reg No/USSt.-IdNr.: DE270217003

Doc. No. TDS J-TOWhead-A6_R00.docx

Datasheet:

p/n: J-TOWhead-A6



Standard features:

- Push/Pull and torque shear pin
- 4 spare shear pins included
- Retaining pin
- All steel parts corrosion-resistant
- Incl. label aircraft-type

Documentation:

- Technical manual incl. illustrated spare parts list
- COC Certificate of Conformity
- CE Declaration of Conformity (if applicable)

Aircraft application:

- B747 (all types)

Shear pins:

- 00.37720.0014 “U” Push/Pull and Torque
- 00.37720.0018 “U-FB” Retaining pin

Net weight:

- 112 kg / 247 lbs

Shipping information incl. packing:

Approx. Weight	Approx. shipping Dims l x w x h	Approx. Volume
[kg] 137	[mm] 1200 x 800 x 620	[m ³] 0,59
[lbs] 302	[inch] 47 x 31.5 x 24	[ft ³] 20.8

We reserve the right to update this datasheet at any time w/o prior notice!