

JMS AG
 Jet Maintenance & Service
 Rainer-Haungs-Strasse 42
 77933 Lahr/Germany
 Phone +49 (7821) 9 94 69 – 0
 Fax +49 (7821) 9 94 69 – 100



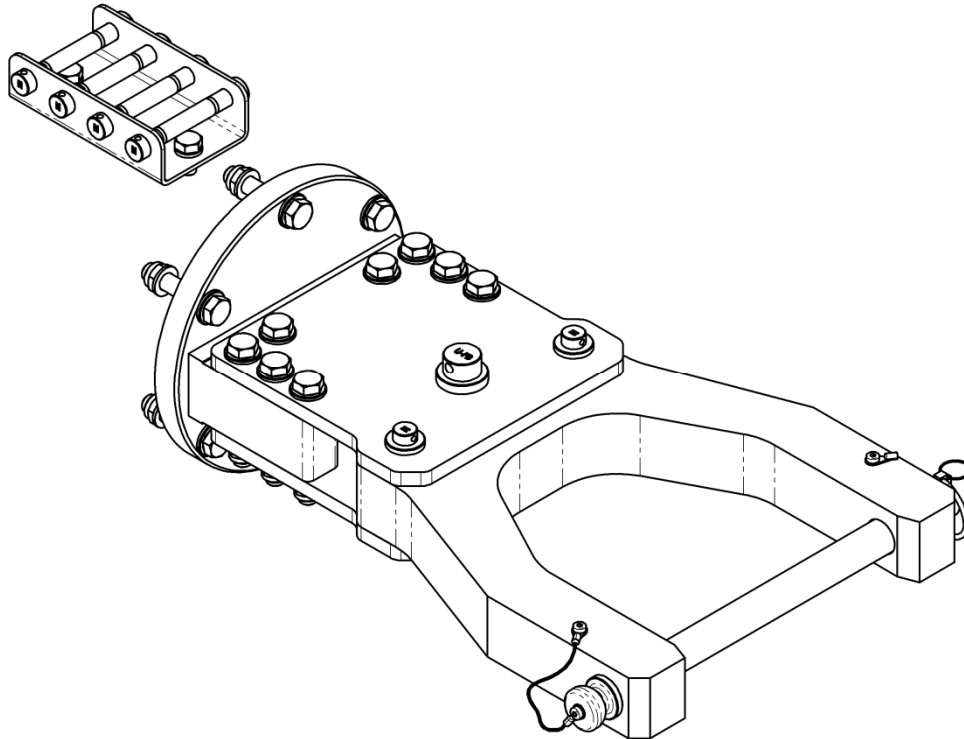
Internet: <http://www.jms.aero/>
 eMail: <mailto:sales@jms.aero>

HRB 705130 Amtsgericht Freiburg i.Br.
 VAT Reg No/USt.-IdNr.: DE270217003

Doc. No. TDS_J-TOWhead-B85_R00.docx

Datasheet:

p/n: J-TOWhead-B85



Standard features:

- 2xShearpins for Push/Pull / torque mounted (add. as spare parts incl.: 4xShearpins)
- 1xRetaining pin
- All steel parts corrosion-resistant
- Incl. label aircraft-type

Options (at extra charges):

- Revolving tow head $\pm 10^\circ$
 → Option BD

Aircraft application:

- TU154

Documentation:

- Technical manual incl. illustrated spare parts list
- COC Certificate of Conformity
- CE Declaration of Conformity (if applicable)

Net weight:

- 35 kg / 77 lbs

Shear pins:

- 00.37200.0012 "H" Push/Pull and Torque
- 00.37720.0018 "U-FB" Retaining pin

Shipping information incl. packing:

Approx. Weight	Approx. shipping Dims l x w x h	Approx. Volume
[kg] 60	[mm] 1200 x 800 x 360	[m ³] 0,34
[lbs] 132	[inch] 47.2 x 31.5 x 14.1	[ft ³] 12