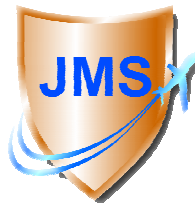


JMS AG
 Jet Maintenance & Service
 Rainer-Haungs-Strasse 42
 77933 Lahr/Germany
 Phone +49 (7821) 9 94 69 – 0
 Fax +49 (7821) 9 94 69 – 100



Internet: <http://www.jms.aero/>
 eMail: <mailto:sales@jms.aero>

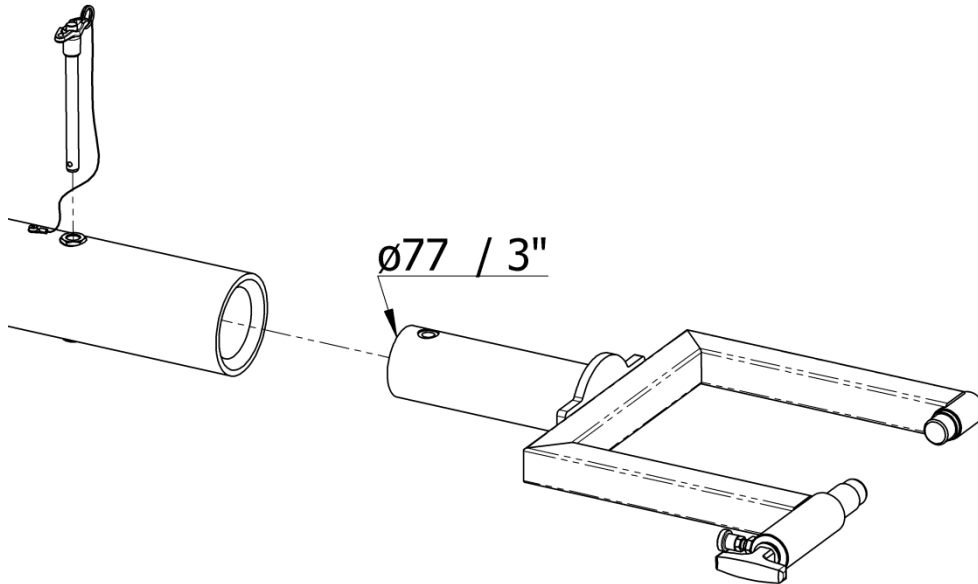
HRB 705130 Amtsgericht Freiburg i.Br.
 VAT Reg No/USt.-IdNr.: DE270217003

Doc. No. TDS J-TOWhead-D143_R00.docx

Datasheet:

p/n: J-TOWhead-D143

Towhead for (see Aircraft applications)



Features:

- Towhead for **J-TOWbiz1** – Towbar.
 Also compatible to other universal towbars (e.g. TronAir) with $\varnothing 77\text{mm} / \varnothing 3\text{''}$ adapter system.
- Also compatible to J-TOWbiz2 and J-TOWbiz3 – Towbar and to other universal tow bars with $\varnothing 83\text{ mm} / \varnothing 3\frac{1}{4}\text{''}$ adapter system (additional adapter necessary)
- Quick release pin system for easy towhead replacement
- All steel parts corrosion-resistant

Net weight:

- 9 kg / 20 lbs

Documentation:

- Technical manual
 incl. illustrated spare parts list
- COC Certificate of Conformity
- CE Declaration of Conformity (if applicable)

Aircraft application:

- Hawker Beechcraft (Raytheon)
 King Air 90, 100, 200, 300, 350, 1900
 Starship, Queenair
 C-12, T44
- Fairchild, Merlin / Metro
 Merlin I, II, IV, SJ-30
- Sino Swearingen
 SJ-30, Metro

Shipping information incl. packing:

Approx. Weight	Approx. shipping Dims l x w x h	Approx. Volume
[kg] 30	[mm] 650 x 500 x 350	[m ³] 0,11
[lbs] 66	[inch] 25.6 x 19.7 x 13.8	[ft ³] 3.88