

JMS AG
Jet Maintenance & Service
Rainer-Haungs-Strasse 42
77933 Lahr/Germany
Phone +49 (7821) 9 94 69 – 0
Fax +49 (7821) 9 94 69 – 100



Internet: <http://www.jms.aero/>
eMail: <mailto:sales@jms.aero>

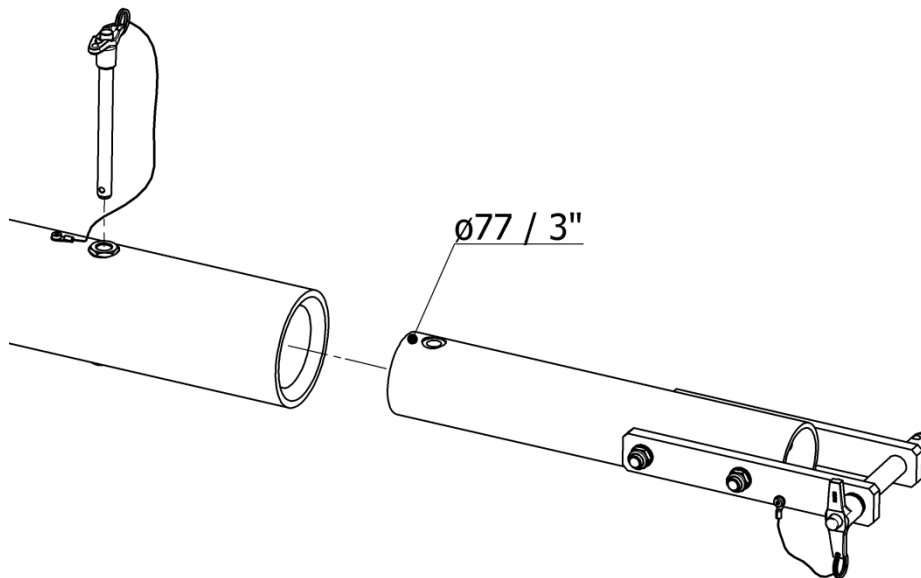
HRB 705130 Amtsgericht Freiburg i.Br.
VAT Reg No/USt.-IdNr.: DE270217003

Doc. No. TDS J-TOWhead-D39_R00.docx

Datasheet:

p/n: J-TOWhead-D39

Towhead for BAe Jetstream 41



Features:

- Towhead for **J-TOWbiz1** – Towbar.
Also compatible to other universal towbars (e.g. TronAir) with $\varnothing 77\text{mm} / \varnothing 3''$ Adapter system.
- Also compatible to J-TOWbiz2 and J-TOWbiz3 – Towbar and to other universal tow bars with $\varnothing 83\text{ mm} / \varnothing 3 \frac{1}{4}''$ adapter system (additional adapter necessary)
- Quick release pin system for easy towhead replacement
- All steel parts corrosion-resistant

Documentation:

- Technical manual
incl. illustrated spare parts list
- COC Certificate of Conformity
- CE Declaration of Conformity (if applicable)

Aircraft application:

- BAe Jetstream 41

Net weight:

- 6 kg / 13.2 lbs

Shipping information incl. packing:

Approx. Weight	Approx. shipping Dims l x w x h	Approx. Volume
[kg] 9	[mm] 600 x 400 x 230	[m ³] 0,05
[lbs] 20	[inch] 23.6 x 15.7 x 9	[ft ³] 1.77