

JMS AG
 Jet Maintenance & Service
 Rainer-Haungs-Strasse 42
 77933 Lahr/Germany
 Phone +49 (7821) 9 94 69 – 0
 Fax +49 (7821) 9 94 69 – 100



Internet: <http://www.jms.aero/>
 eMail: <mailto:sales@jms.aero>

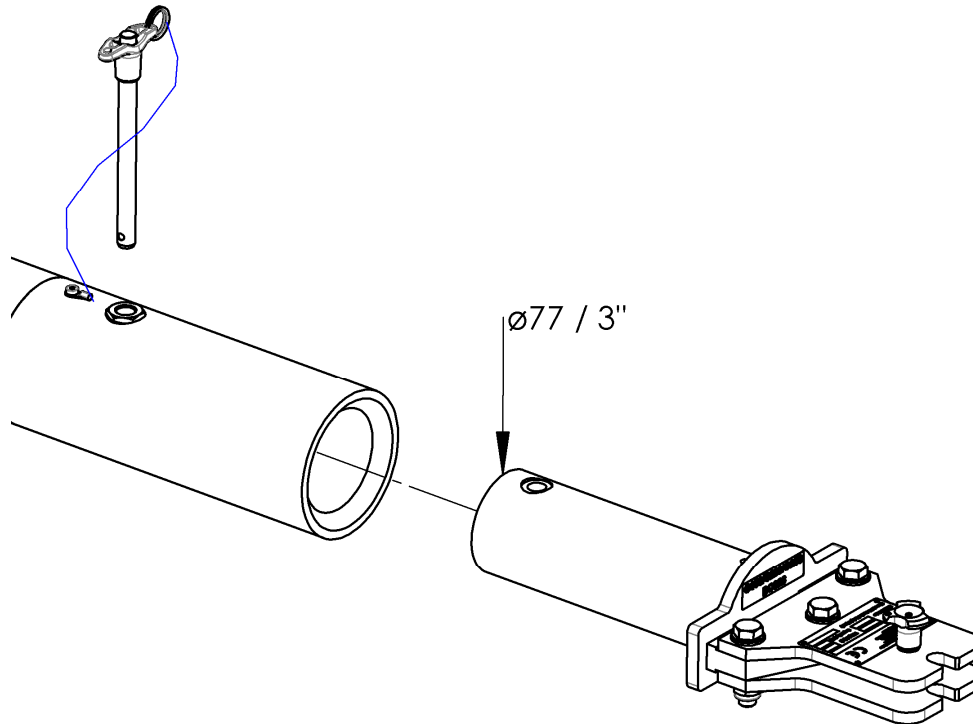
HRB 705130 Amtsgericht Freiburg i.Br.
 VAT Reg No/USt.-IdNr.: DE270217003

Doc. No. TDS J-TOWhead-D57_R01.doc

Datasheet:

p/n: J-TOWhead-D57

Towhead for Gulfstream 150 / 200 / 250 (see Aircraft applications)



Features:

- Towhead for J-TOWbiz1 – Towbar. Also compatible to other universal towbars (e.g. TronAir) with $\varnothing 77\text{mm} / \varnothing 3\text{''}$ adapter system.
- Also compatible to J-TOWbiz2 and J-TOWbiz3 – Towbar and to other universal tow bars with $\varnothing 83\text{ mm} / \varnothing 3\frac{1}{4}\text{''}$ adapter system (additional adapter necessary)
- Quick release pin system for easy towhead replacement
- All steel parts corrosion-resistant

Documentation:

- Technical manual incl. illustrated spare parts list
- COC Certificate of Conformity
- CE Declaration of Conformity (if applicable)

Aircraft application:

- Gulfstream 150
- Gulfstream 200 (formerly Galaxy Business Jet)
- Gulfstream 250
- DO 328

Net weight:

- 6 kg / 13 lbs

Shipping information incl. packing:

| Approx. Weight | Approx. shipping Dims l x w x h | Approx. Volume |
|--------------------|------------------------------------|-----------------------------------|
| [kg] 20 | [mm] 400 x 200 x 350 | [m ³] 0,03 |
| [lbs] 44 | [inch] 15.7 x 7.8 x 13.8 | [ft ³] 1.06 |

We reserve the right to update this datasheet at any time w/o prior notice!