

JMS AG
 Jet Maintenance & Service
 Rainer-Haungs-Strasse 42
 77933 Lahr/Germany
 Phone +49 (7821) 9 94 69 – 0
 Fax +49 (7821) 9 94 69 – 100



Internet: <http://www.jms.aero/>
 eMail: <mailto:sales@jms.aero>

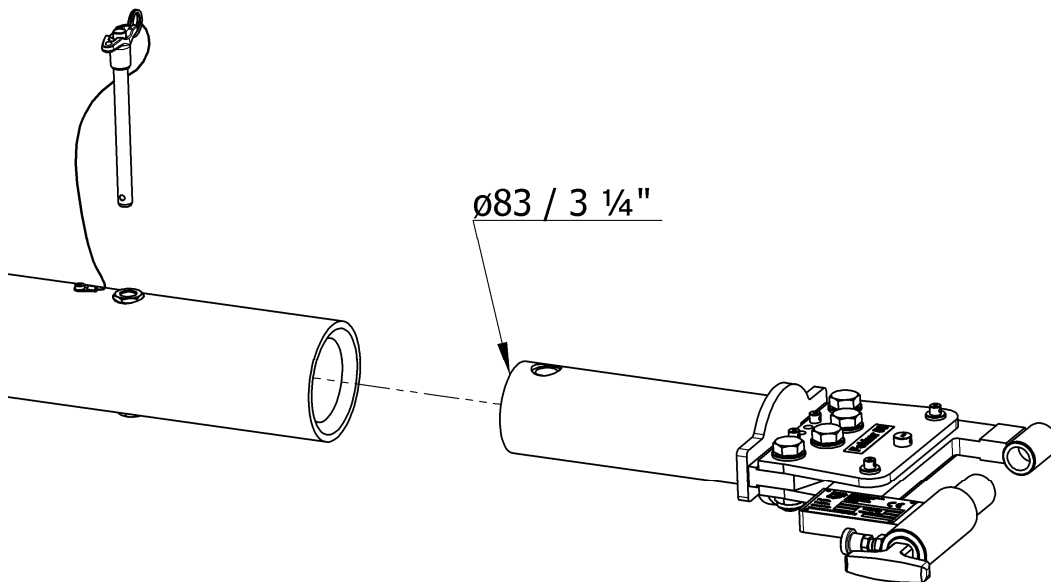
HRB 705130 Amtsgericht Freiburg i.Br.
 VAT Reg No/UST.-IdNr.: DE270217003

Doc. No. TDS J-TOWhead-E30_R00.doc

Datasheet:

p/n: J-TOWhead-E30

Towhead for Fokker 50



Features:

- Towhead for **J-TOWbiz2** and **J-TOWbiz3** - Towbar.
 Also compatible to other universal towbars (e.g. TronAir) with ø83mm/ ø3 1/4" Adapter system.
- Quick release pin system for easy towhead replacement
- Push/Pull and torque shear pin
- 2 spare shear pins included
- Retaining pin
- All steel parts corrosion-resistant

Documentation:

- Technical manual
 incl. illustrated spare parts list
- COC Certificate of Conformity
- CE Declaration of Conformity
 (if applicable)

Aircraft application:

- Fokker 50

Net weight:

- 12 kg / 26 lbs

Shear pins:

- 00.37960.0121 "W"
 Push/Pull and Torque
- 00.37960.0124 "W-FB"
 Retaining pin

Shipping information incl. packing:

Approx. Weight	Approx. shipping Dims l x w x h	Approx. Volume
[kg] 40	[mm] 600 x 350 x 250	[m³] 0,05
[lbs] 88	[inch] 23 x 14 x 10	[ft³] 1,85