

JMS AG
 Jet Maintenance & Service
 Rainer-Haungs-Strasse 42
 77933 Lahr/Germany
 Phone +49 (7821) 9 94 69 – 0
 Fax +49 (7821) 9 94 69 – 100



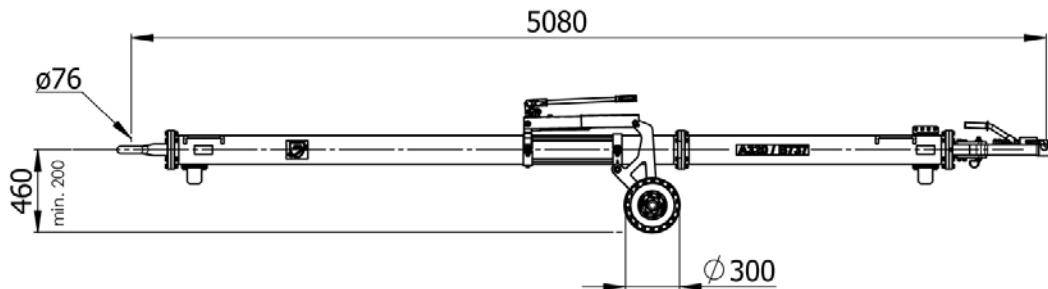
Internet: <http://www.jms.aero/>
 eMail: <mailto:sales@jms.aero>

HRB 705130 Amtsgericht Freiburg i.Br.
 VAT Reg No/USSt.-IdNr.: DE270217003

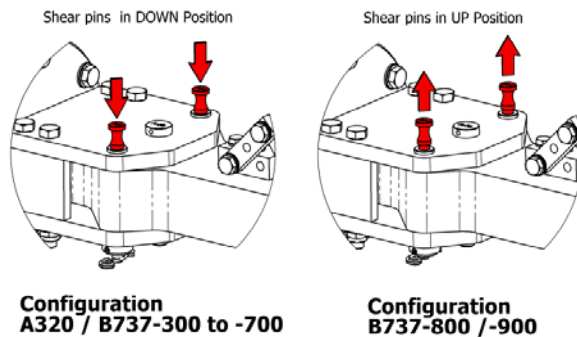
Doc. No. TDS J-TOWversa3-S_R00.docx

Datasheet:

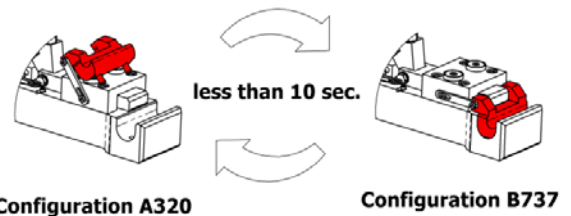
p/n: J-TOWversa3-S



One pair of shear pins for operating B737 -300 to -900 and A320 family at different shear protection values!
 Fast and easy convertible by locking shear pins in up or down position. No tools required!



Converting Towbar from A320 to B737



Standard features:

- Push/Pull and torque shear pins, replaceable without using tools.
- FOD-Protection device:
No shear pin debris will be lost in case of shear pin fracture!
- 4 spare shear pins included
- Retaining pin
- Revolving tow head ± 10°
(requirement as per Airbus MFP for A318/A319/A320/A321 a/c)
- Air-inflated tires
- Hydraulically height adjustable undercarriage
- Split steel tube
- Skydrol resistant paint
- Standard colors: yellow RAL 1007 (tube), black RAL 9004 (undercarriage)

Options (at extra charges):

- Puncture-proof tires
- Floating axle
- Revolving tow eye
- Revolving tow eye with shock absorber
- Customized color for towbar tube i.a.w. RAL coding scheme

Aircraft application:

- A318/A319/A320/A321
- B737 -300 to -700
- B737 -800/ -900

Documentation:

- Technical manual
incl. illustrated spare parts list
- COC Certificate of Conformity
- CE Declaration of Conformity (if applicable)

Shear pins:

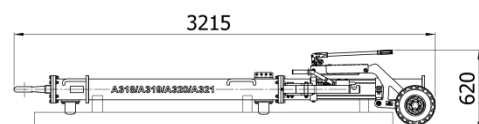
- 20-00190-0020-022 "AN" Push/Pull and Torque
- 00.38910.0007 "A-FB" Retaining pin

Net weight:

- 235 kg / 518 lbs

Shipping information incl. packing:

Approx. Weight	Approx. shipping Dims l x w x h	Approx. Volume
[kg]	[mm]	[m ³]
305	3250 x 1000 x 720	2,27
[lbs]	[inch]	[ft ³]
672	128 x 39 x 27	80.1



We reserve the right to update this datasheet at any time w/o prior notice!