

JMS AG
 Jet Maintenance & Service
 Rainer-Haungs-Strasse 42
 77933 Lahr/Germany
 Phone +49 (7821) 9 94 69 – 0
 Fax +49 (7821) 9 94 69 – 100



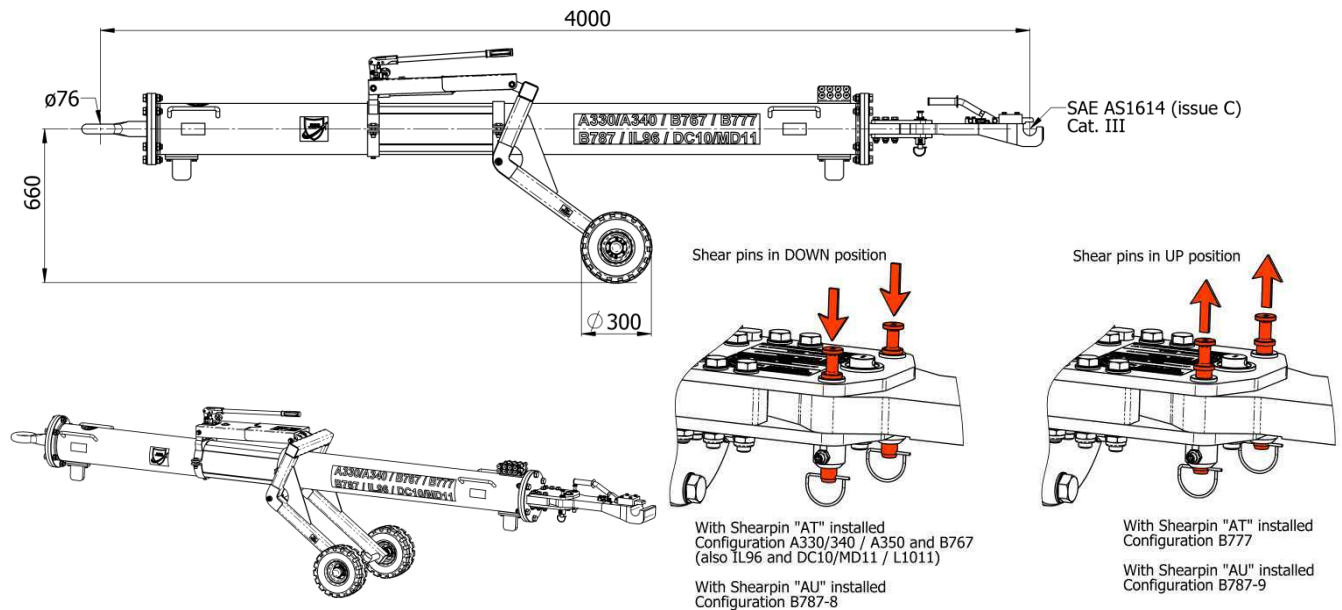
Internet: <http://www.jms.aero/>
 eMail: <mailto:sales@jms.aero>

HRB 705130 Amtsgericht Freiburg i.Br.
 VAT Reg No/USSt.-IdNr.: DE270217003

Doc. No. TDS J-TOWversa1_R05.docx

Datasheet:

p/n: J-TOWversa1



Standard features:

- Push/Pull and torque shear pins, replaceable without using tools.
- FOD-Protection device:
No shear pin debris will be lost in case of shear pin fracture!
- 4 spare shear pins included
- Retaining pin
- Air-inflated tires
- Hydraulically height adjustable undercarriage
- Steel tube
- Skydrol resistant paint
- Standard colors: yellow RAL 1007 (tube), black RAL 9004 (undercarriage)

Aircraft application:

- A330 / A340 *1
- A350-900
- B767
- B777
- B787
- IL96
- DC10 *2
- MD11 *2
- L1011

Shipping information incl. packing:

Approx. Weight	Approx. shipping Dims l x w x h	Approx. Volume
[kg] 355	[mm] 4200 x 1000 x 760	[m ³] 3,2
[lbs] 782	[inch] 165 x 39 x 30	[ft ³] 113

Options (at extra charges):

- Puncture-proof tires → Option R3
- Floating axle → Option AV
- Revolving tow head $\pm 10^{\circ} * 2$ → Option AD
- Revolving tow eye → Option AP
- Revolving toweye with sh. absorber → Option AA
- Customized color for towbar tube i.a.w. RAL coding scheme → Option A-RAL

Documentation:

- Technical manual incl. illustrated spare parts list
- COC Certificate of Conformity
- CE Declaration of Conformity (if applicable)

Net weight:

- 290 kg / 639 lbs

Shear pins:

- Push/Pull and Torque
20-00230-0020-022 "AT" (all, without B787)
20-00230-0020-122 "AU" (only B787)
- Retaining pin: 00.40060.0008 "L-FB"

*1 = Not suitable for A340 -500/ -600.

*2 = For DC10 & MD11 revolving tow head required