

**JMS AG**  
 Jet Maintenance & Service  
 Rainer-Haungs-Strasse 42  
 77933 Lahr/Germany  
 Phone +49 (7821) 9 94 69 – 0  
 Fax +49 (7821) 9 94 69 – 100



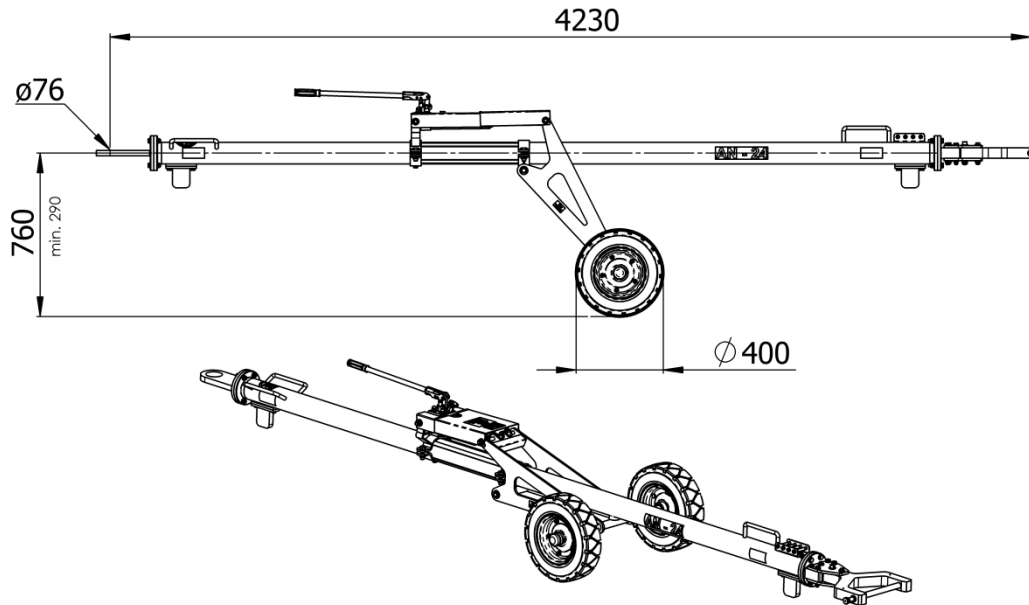
Internet: <http://www.jms.aero/>  
 eMail: <mailto:sales@jms.aero>

HRB 705130 Amtsgericht Freiburg i.Br.  
 VAT Reg No/USSt.-IdNr.: DE270217003

Doc. No. TDS J-TOW24\_R01.docx

**Datasheet:**

**p/n: J-TOW24**



**Standard features:**

- Push/Pull and torque shear pin
- 4 spare shear pins included
- Retaining pin
- Air-inflated tires
- Hydraulically height adjustable undercarriage
- Steel tube
- Skydrol resistant paint
- Standard colors: yellow RAL 1007 (tube), black RAL 9004 (undercarriage)

**Options (at extra charges):**

- Puncture-proof tires  
 → Option R4
- Revolving tow eye  
 → Option CP
- Revolving tow eye with shock absorber  
 → Option CA
- Customized color for towbar tube i.a.w. RAL coding scheme  
 → Option C-RAL

**Aircraft application:**

- AN-24, 26

**Documentation:**

- Technical manual incl. illustrated spare parts list
- COC Certificate of Conformity
- CE Declaration of Conformity (if applicable)

**Net weight:**

- 140 kg / 308 lbs

**Shipping information incl. packing:**

<b>Approx. Weight</b>	<b>Approx. shipping Dims</b> l x w x h	<b>Approx. Volume</b>
[kg]	[mm]	[m <sup>3</sup> ]
<b>205</b>	<b>4350 x 1000 x 740</b>	<b>3,2</b>
[lbs]	[inch]	[ft <sup>3</sup> ]
<b>451</b>	<b>171 x 39 x 29</b>	<b>113</b>