

JMS AG
 Jet Maintenance & Service
 Rainer-Haungs-Strasse 42
 77933 Lahr/Germany
 Phone +49 (7821) 9 94 69 – 0
 Fax +49 (7821) 9 94 69 – 100



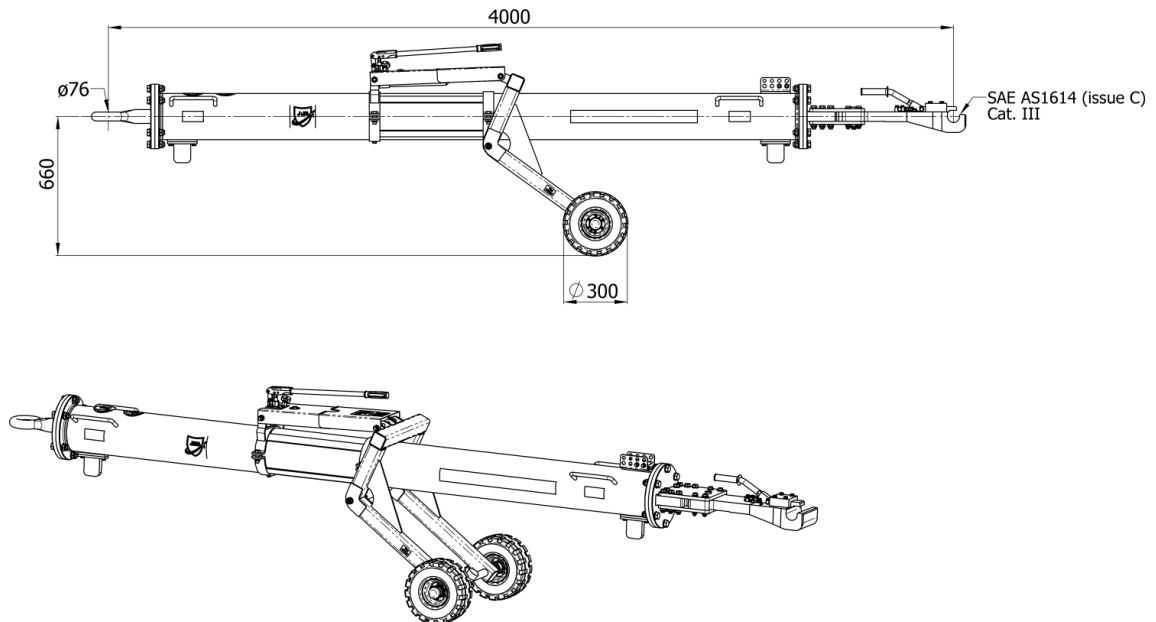
Internet: <http://www.jms.aero/>
 eMail: <mailto:sales@jms.aero>

HRB 705130 Amtsgericht Freiburg i.Br.
 VAT Reg No/UST.-IdNr.: DE270217003

Doc. No. TDS J-TOW330_R02.docx

Datasheet:

p/n: J-TOW330



Standard features:

- Push/Pull and torque shear pins, replaceable without using tools.
- FOD-Protection device:
No shear pin debris will be lost in case of shear pin fracture!
- 6 spare shear pins included
- Retaining pin
- Automatic locking mechanism
- Air-inflated tires
- Hydraulically height adjustable undercarriage
- Steel tube
- Skydrol resistant paint
- Standard colors: yellow RAL 1007 (tube), black RAL 9004 (undercarriage)

Options (at extra charges):

- Puncture-proof tires
→ Option R3
- Floating axle
→ Option AV
- Revolving tow head $\pm 10^\circ$
→ Option AD
- Revolving tow eye
→ Option AP
- Revolving tow eye with shock absorber
→ Option AA
- Customized color for towbar tube i.a.w. RAL coding scheme
→ Option A-RAL

Aircraft application:

- A330 / A340 - 200/-300

Documentation:

- Technical manual
incl. illustrated spare parts list
- COC Certificate of Conformity
- CE Declaration of Conformity (if applicable)

Shipping information incl. packing:

Approx. Weight	Approx. shipping Dims l x w x h	Approx. Volume
[kg] 355	[mm] 4200 x 1000 x 760	[m ³] 3,2
[lbs] 782	[inch] 165 x 39 x 30	[ft ³] 113

Net weight:

- 290 kg / 639 lbs

Shear pins:

- 20-00230-0020-322 "L1" Push/Pull and Torque
- 00.40060.0008 "L-FB" Retaining pin

We reserve the right to update this datasheet at any time w/o prior notice!