

**JMS AG**  
 Jet Maintenance & Service  
 Black Forest Airport Lahr  
 Rainer-Haungs-Strasse 42  
 77933 Lahr/Germany  
 Phone +49 (7821) 9 94 69 – 0  
 Fax +49 (7821) 9 94 69 – 100



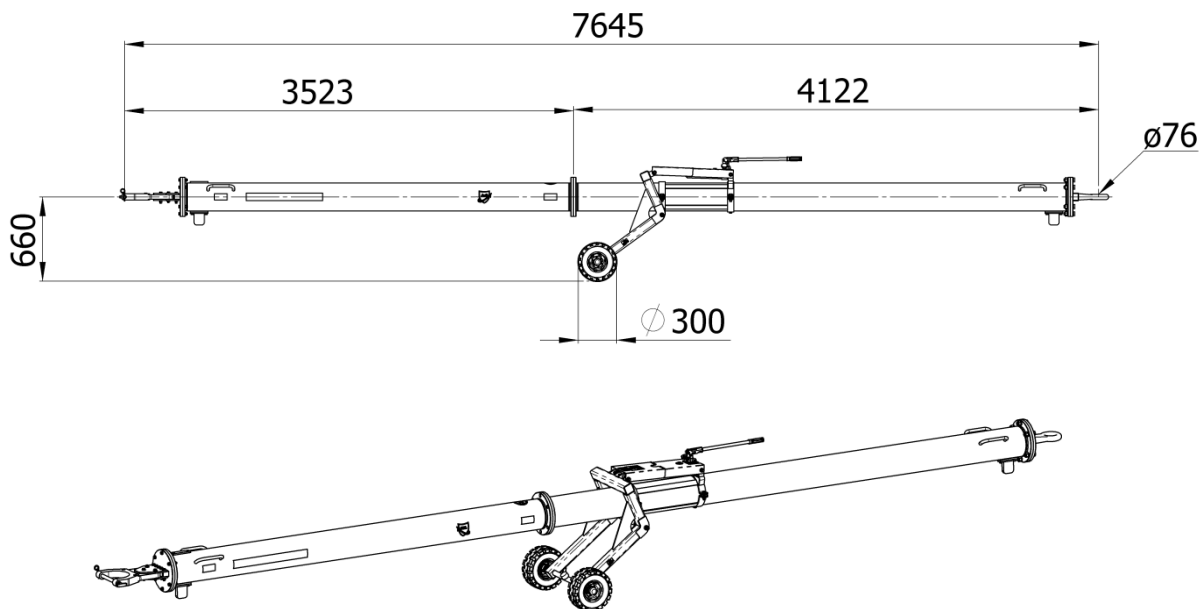
Internet: <http://www.jms.aero/>  
 eMail: <mailto:sales@jms.aero>

HRB 705130 Amtsgericht Freiburg i.Br.  
 VAT Reg No/USSt.-IdNr.: DE270217003

Doc. No. TDS J-TOW76\_R01.docx

**Datasheet:**

**p/n: J-TOW76**



**Standard features:**

- Push/Pull and torque shear pin
- 4 spare shear pins included
- Retaining pin
- Air-inflated tires
- Hydraulically height adjustable undercarriage
- Splitted Steel tube
- Skydrol resistant paint
- Standard colors: yellow RAL 1007 (tube), black RAL 9004 (undercarriage)

**Options (at extra charges):**

- Puncture-proof tires
- Floating axle
- Revolving tow head  $\pm 10^\circ$
- Revolving tow eye
- Revolving tow eye with shock absorber
- Customized color for towbar tube i.a.w. RAL coding scheme

**Aircraft application:**

- IL 76

**Documentation:**

- Technical manual incl. illustrated spare parts list
- COC Certificate of Conformity
- CE Declaration of Conformity (if applicable)

**Net weight:**

- 315 kg / 695 lbs

**Shipping information incl. packing (dismantled) :**

Approx. Weight	Approx. shipping Dims l x w x h	Approx. Volume
[kg] <b>395</b>	[mm] <b>4400 x 1000 x 740</b>	[m <sup>3</sup> ] <b>3,2</b>
[lbs] <b>870</b>	[inch] <b>173 x 39 x 29</b>	[ft <sup>3</sup> ] <b>113</b>