

JMS AG
 Jet Maintenance & Service
 Rainer-Haungs-Strasse 42
 77933 Lahr/Germany
 Phone +49 (7821) 9 94 69 – 0
 Fax +49 (7821) 9 94 69 – 100



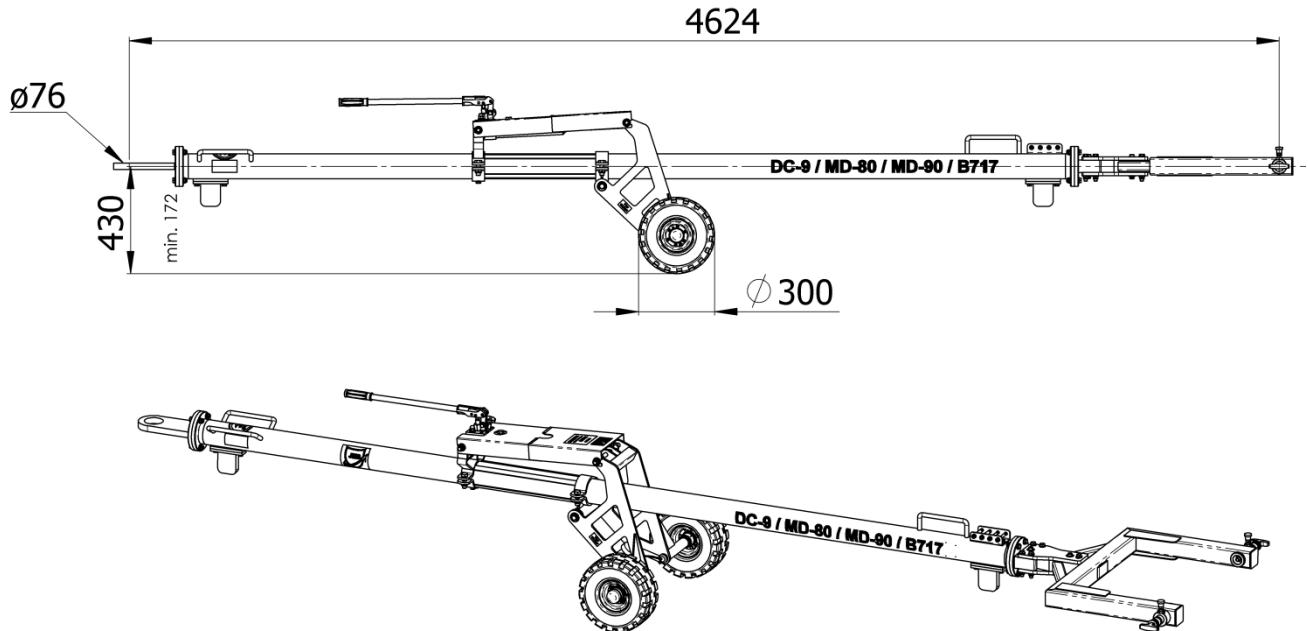
Internet: <http://www.jms.aero/>
 eMail: <mailto:sales@jms.aero>

HRB 705130 Amtsgericht Freiburg i.Br.
 VAT Reg No/USt.-IdNr.: DE270217003

Doc. No. TDS J-TOW80_R04.docx

Datasheet:

p/n: J-TOW80



Standard features:

- Push/Pull and torque shear pin
- 2 spare shear pins included
- Retaining pin
- Air-inflated tires
- Hydraulically height adjustable undercarriage
- Steel tube
- Skydrol resistant paint
- Standard colors: yellow RAL 1007 (tube), black RAL 9004 (undercarriage)

Options (at extra charges):

- Puncture-proof tires
- Revolving tow eye
- Revolving tow eye with shock absorber
- Customized color for towbar tube i.a.w. RAL coding scheme

Documentation:

- Technical manual incl. illustrated spare parts list
- COC Certificate of Conformity
- CE Declaration of Conformity (if applicable)

Aircraft application:

- MD-80 / MD-90
- DC-9
- B717

Shear pins:

- 00.37210.0012 "M" for Push/Pull
- 00.37210.0013 "AC" for Torque
- 00.40430.0016 "D-FB" Retaining pin

Net weight:

- 144 kg / 317 lbs

Shipping information incl. packing:

Approx. Weight	Approx. shipping Dims l x w x h	Approx. Volume
[kg]	[mm]	[m ³]
209	4750 x 1000 x 670	3,1
[lbs]	[inch]	[ft ³]
461	187 x 39 x 26	109.4

We reserve the right to update this datasheet at any time w/o prior notice!