

JMS AG
 Jet Maintenance & Service
 Rainer-Haungs-Strasse 42
 77933 Lahr/Germany
 Phone +49 (7821) 9 94 69 – 0
 Fax +49 (7821) 9 94 69 – 100



Internet: <http://www.jms.aero/>
 eMail: <mailto:sales@jms.aero>

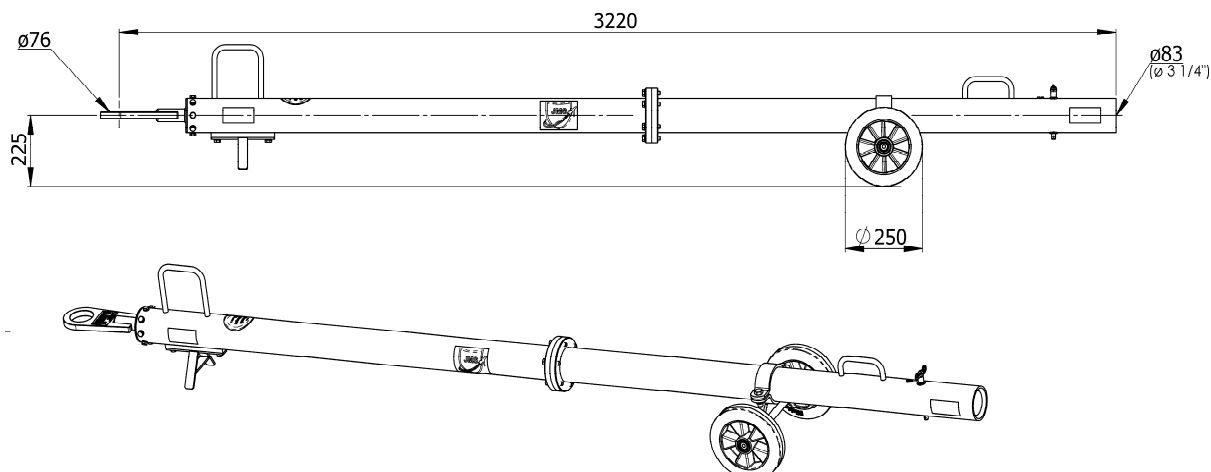
HRB 705130 Amtsgericht Freiburg i.Br.
 VAT Reg No/USSt.-IdNr.: DE270217003

Doc. No. TDS J-TOWbiz2-S-R00

Datasheet:

p/n: J-TOWbiz2-S

This towbar has the capacity to handle aircraft up to a gross weight of 56.700kg / 125,000lbs



Standard features:

- Spilt Aluminium tube
- Quick release pin for easy towhead replacement
- Undercarriage with puncture-proof tires
- Handles for safe attachment to the aircraft
- Skydrol resistant paint
- Standard color yellow RAL 1007
- Compatible to J-TOWheads, but also to other universal business jet towheads using a $\varnothing 83\text{mm}$ / $\varnothing 3\ 1/4''$ tube lock system

Options (at extra charges):

- Revolving tow eye
- Revolving tow eye with shock absorber
- Customized color i.a.w. RAL coding

Documentation:

- Technical manual incl. illustrated spare parts list
- COC Certificate of Conformity
- CE Declaration of Conformity (if applicable)

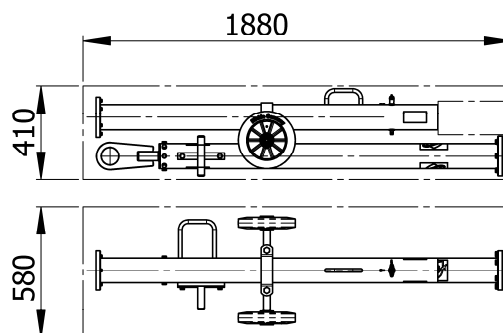
Net weight: (for towbar without towhead)

- 44 kg / 97 lbs

Shipping information incl. packing:

(for towbar without towhead):

Weight	Approx. shipping Dims l x w x h	Volume
[kg]	[mm]	[m ³]
77	1880 x 580 x 410	0,44
[lbs]	[inch]	[ft ³]
170	74 x 22.8 x 16.1	15.5



We reserve the right to update this datasheet at any time w/o prior notice!