

**JMS AG**  
 Jet Maintenance & Service  
 Rainer-Haungs-Strasse 42  
 77933 Lahr/Germany  
 Phone +49 (7821) 9 94 69 – 0  
 Fax +49 (7821) 9 94 69 – 100



Internet: <http://www.jms.aero/>  
 eMail: <mailto:sales@jms.aero>

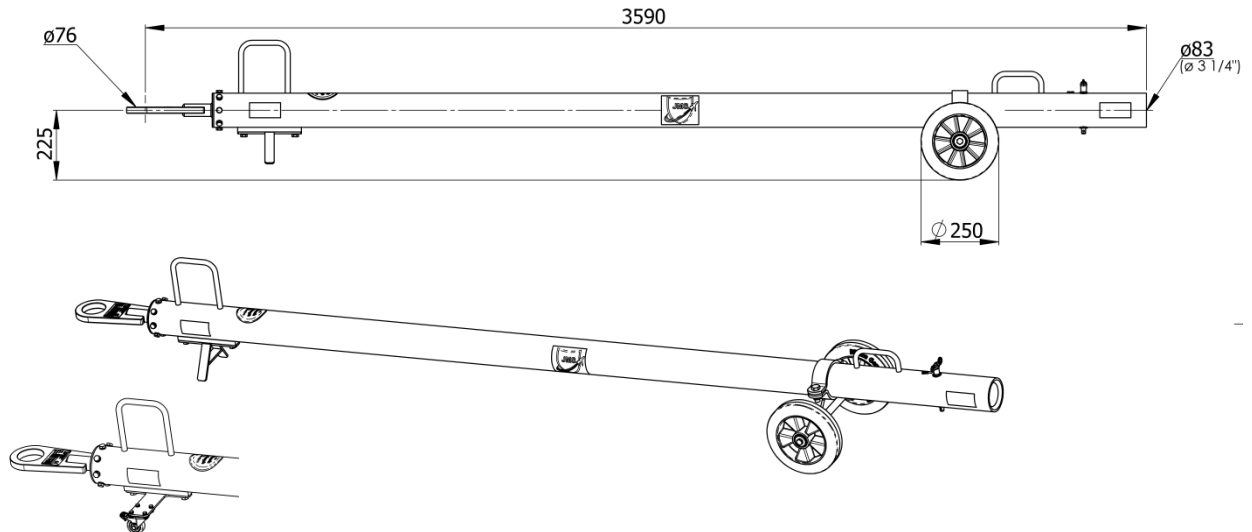
HRB 705130 Amtsgericht Freiburg i.Br.  
 VAT Reg No/USSt.-IdNr.: DE270217003

Doc. No. TDS J-TOWbiz2-VNK-R01.docx

**Datasheet:**

**p/n: J-TOWbiz2-VNK**

This towbar has the capacity to handle aircraft up to a gross weight of 56.700kg / 125,000lbs



Option D/E-AC

**Standard features:**

- Aluminium tube
- Quick release pin for easy towhead replacement
- Undercarriage with puncture-proof tires
- Handles for safe attachment to the aircraft
- Skydrol resistant paint
- Standard color yellow RAL 1007
- Compatible to J-TOWheads, but also to other universal business jet towheads using a 83mm / 3 1/4 " tube lock system

**Options (at extra charges):**

- Adapter for using J-TOWheads with a 77mm / 3" adapter system.  
 → Adapter D-E
- Revolving toweye  
 → Option EP
- Revolving toweye with shock absorber  
 → Option EA
- Additional castors (lockable) on toweye side  
 → Option D/E-AC
- Customized color i.a.w. RAL coding  
 → Option E-RAL

**Net weight:** (for towbar without towhead)

- 46 kg / 101 lbs

**Documentation:**

- Technical manual  
 incl. illustrated spare parts list
- COC Certificate of Conformity
- CE Declaration of Conformity (if applicable)

**Shipping information incl. packing:**

(for towbar without towhead):

Weight	Approx. shipping Dims l x w x h	Volume
[kg]	[mm]	[m <sup>3</sup> ]
<b>80</b>	<b>3730 x 600 x 600</b>	<b>1,34</b>
[lbs]	[inch]	[ft <sup>3</sup> ]
<b>176</b>	<b>147 x 23.6 x 23.6</b>	<b>47.3</b>

We reserve the right to update this datasheet at any time w/o prior notice!