

JMS AG
 Jet Maintenance & Service
 Rainer-Haungs-Strasse 42
 77933 Lahr/Germany
 Phone +49 (7821) 9 94 69 – 0
 Fax +49 (7821) 9 94 69 – 100



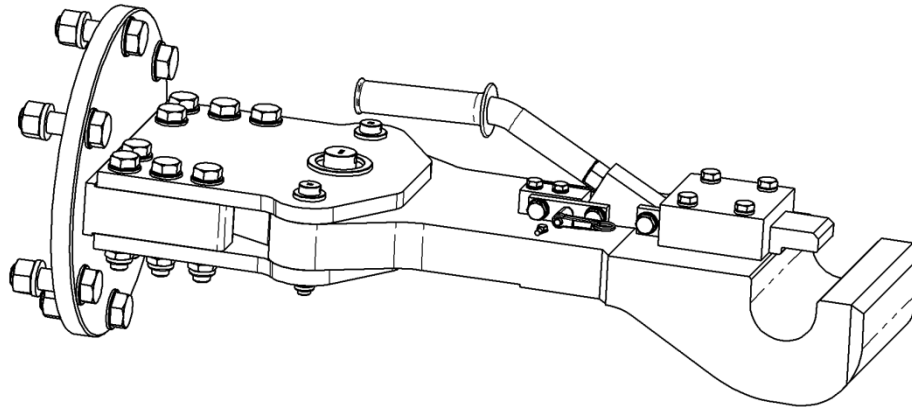
Internet: <http://www.jms.aero/>
 eMail: <mailto:sales@jms.aero>

HRB 705130 Amtsgericht Freiburg i.Br.
 VAT Reg No/USSt.-IdNr.: DE270217003

Doc. No. TDS J-TOWhead-A19_R00.docx

Datasheet:

p/n: J-TOWhead-A19



Standard features:

- Push/Pull and torque shear pin
- 4 spare shear pins included
- Retaining pin
- All steel parts corrosion-resistant
- Incl. label aircraft-type

Options (at extra charges):

- Revolving tow head $\pm 10^\circ$

Aircraft application:

- A340 – 500 / - 600

Documentation:

- Technical manual incl. illustrated spare parts list
- COC Certificate of Conformity
- CE Declaration of Conformity (if applicable)

Net weight:

- 93 kg / 205 lbs

Shear pins:

- 00.36790.0014 “R” Push/Pull and Torque
- 00.40070.0018 “R-FB” Retaining pin

Shipping information incl. packing:

Approx. Weight	Approx. shipping Dims l x w x h	Approx. Volume
[kg] 120	[mm] 800 x 350 x 470	[m ³] 0,13
[lbs] 265	[inch] 31.5 x 14 x 18.5	[ft ³] 4,6

We reserve the right to update this datasheet at any time w/o prior notice!