

JMS AG
 Jet Maintenance & Service
 Rainer-Haungs-Strasse 42
 77933 Lahr/Germany
 Phone +49 (7821) 9 94 69 – 0
 Fax +49 (7821) 9 94 69 – 100



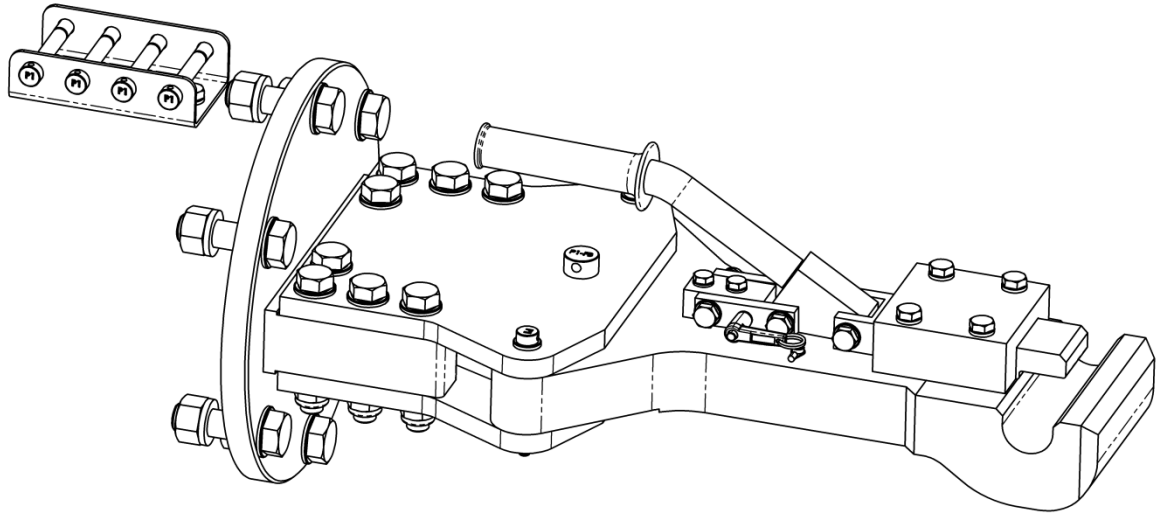
Internet: <http://www.jms.aero/>
 eMail: <mailto:sales@jms.aero>

HRB 705130 Amtsgericht Freiburg i.Br.
 VAT Reg No/USSt.-IdNr.: DE270217003

Doc. No. TDS J-TOWhead-A7_R00.docx

Datasheet:

p/n: J-TOWhead-A7



Standard features:

- Push/Pull and torque shear pin
- 4 spare shear pins included
- Retaining pin
- All steel parts corrosion-resistant
- Incl. label aircraft-type

Options (at extra charges):

- Revolving tow head $\pm 10^\circ$ → Option AD

Documentation:

- Technical manual incl. illustrated spare parts list
- COC Certificate of Conformity
- CE Declaration of Conformity (if applicable)

Aircraft application:

- B757 -200/ -300

Shear pins:

- 00.40100.0016 "P1" Push/Pull and Torque
- 00.40100.0018 "P1-FB" Retaining pin

Net weight:

- 67 kg / 147 lbs

Shipping information incl. packing:

Approx. Weight	Approx. shipping Dims l x w x h	Approx. Volume
[kg]	[mm]	[m ³]
92	650 x 350 x 470	0,10
[lbs]	[inch]	[ft ³]
202	25.6 x 13.8 x 18.5	3.8

We reserve the right to update this datasheet at any time w/o prior notice!