

JMS AG
 Jet Maintenance & Service
 Rainer-Haungs-Strasse 42
 77933 Lahr/Germany
 Phone +49 (7821) 9 94 69 – 0
 Fax +49 (7821) 9 94 69 – 100



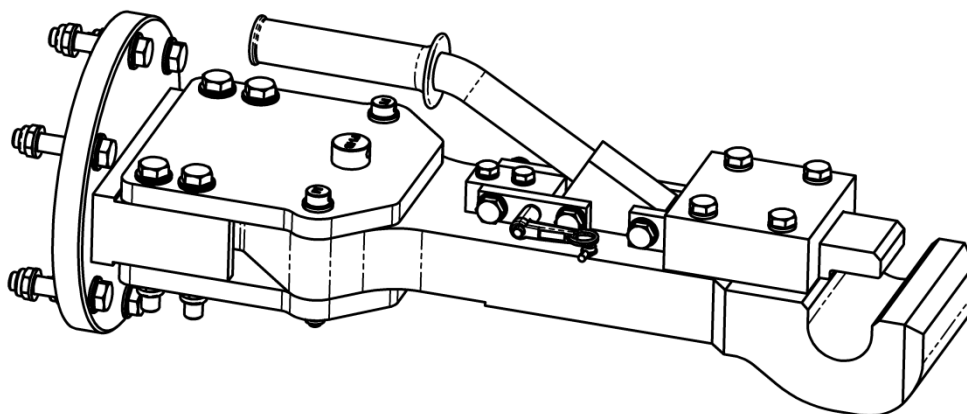
Internet: <http://www.jms.aero/>
 eMail: <mailto:sales@jms.aero>

HRB 705130 Amtsgericht Freiburg i.Br.
 VAT Reg No/USt.-IdNr.: DE270217003

Doc. No. TDS_J-TOWhead-B84_R00.docx

Datasheet:

p/n: J-TOWhead-B84



Standard features:

- Push/Pull and torque shear pin
- 4 spare shear pins included
- Retaining pin
- All steel parts corrosion-resistant
- Incl. label aircraft-type

Options (at extra charges):

- Revolving tow head $\pm 10^\circ$
 → Option BD

Aircraft application:

- TU-204/-214

Documentation:

- Technical manual incl. illustrated spare parts list
- COC Certificate of Conformity
- CE Declaration of Conformity (if applicable)

Net weight:

- 42 kg / 92 lbs

Shear pins:

- 00.40100.0016 "P1" Push/Pull and Torque
- 00.40100.0018 "P1-FB" Retaining pin

Shipping information incl. packing:

Approx. Weight	Approx. shipping Dims l x w x h	Approx. Volume
[kg] 67	[mm] 600 x 250 x 360	[m ³] 0,05
[lbs] 148	[inch] 23.6 x 10 x 14	[ft ³] 1,7