

JMS AG
Jet Maintenance & Service
Rainer-Haungs-Strasse 42
77933 Lahr/Germany
Phone +49 (7821) 9 94 69 – 0
Fax +49 (7821) 9 94 69 – 100



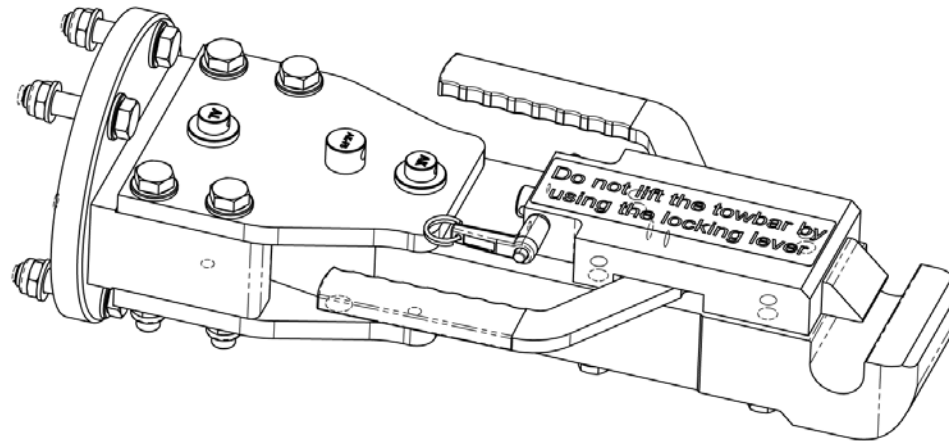
Internet: <http://www.jms.aero/>
eMail: <mailto:sales@jms.aero>

HRB 705130 Amtsgericht Freiburg i.Br.
VAT Reg No/USt.-IdNr.: DE270217003

Doc. No. TDS J-TOWhead-C79_R00.docx

Datasheet:

p/n: J-TOWhead-C79



Standard features:

- Push/Pull and torque shear pin
- 4 spare shear pins included
- Retaining pin

Net weight:

- 22 kg / 48 lbs

Aircraft application:

- Antonov AN-140

Documentation:

- Technical manual
incl. illustrated spare parts list
- COC Certificate of Conformity
- CE Declaration of Conformity (if applicable)

Shear pins:

- 00.36780.0012 “B” for Push/Pull
- 00.36780.0013 “C” for Torque
- 00.40430.0016 “D-FB” Retaining pin

Shipping information incl. packing:

Approx. Weight	Approx. shipping Dims l x w x h	Approx. Volume
[kg]	[mm]	[m ³]
47	600 x 300 x 300	0,05
[lbs]	[inch]	[ft ³]
103	23 x 12 x 12	1.7

We reserve the right to update this datasheet at any time w/o prior notice!