

JMS AG
 Jet Maintenance & Service
 Rainer-Haungs-Strasse 42
 77933 Lahr/Germany
 Phone +49 (7821) 9 94 69 – 0
 Fax +49 (7821) 9 94 69 – 100



Internet: <http://www.jms.aero/>
 eMail: <mailto:sales@jms.aero>

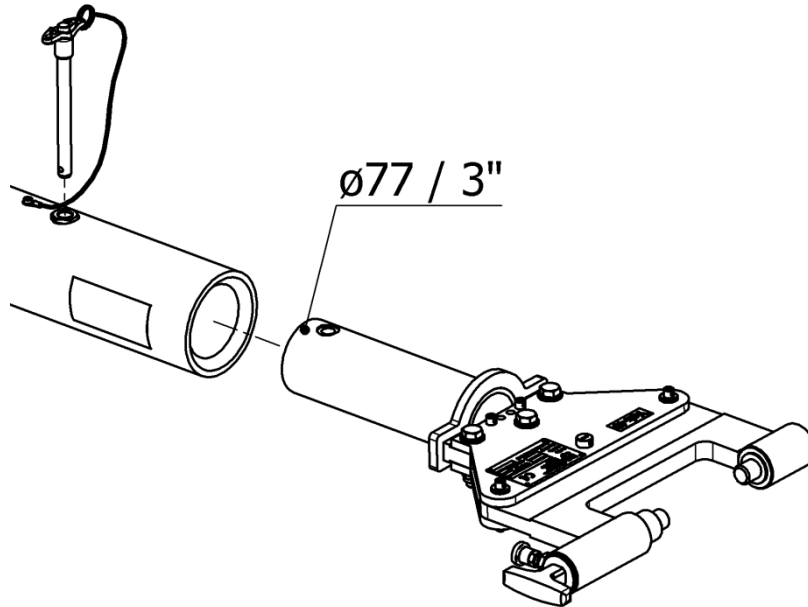
HRB 705130 Amtsgericht Freiburg i.Br.
 VAT Reg No/USSt.-IdNr.: DE270217003

Doc. No. TDS J-TOWhead-D151_R00.docx

Datasheet:

p/n: J-TOWhead-D151

Towhead for Yak-40



Features:

- Towhead for **J-TOWbiz1-L** – Towbar. Also compatible to other universal towbars (e.g. TronAir) with ø77mm / ø3" Adapter system.
- Also compatible to J-TOWbiz2-L and J-TOWbiz3 - Towbar and to other universal tow bars with ø83 mm / ø3 ¼" adapter system (additional adapter necessary)
- Quick release pin system for easy towhead replacement
- Push/Pull and torque shear pin
- 2 spare shear pins included
- Retaining pin
- All steel parts corrosion-resistant

Documentation:

- Technical manual incl. illustrated spare parts list
- COC Certificate of Conformity
- CE Declaration of Conformity (if applicable)

Aircraft application:

- Yak-40

Net weight:

- 12 kg / 26 lbs

Shear pins:

- 20-00070-0020-022 "AG" Push/Pull and Torque
- 20-00070-0020-021 "AG-FB" Retaining pin

Shipping information incl. packing:

Approx. Weight	Approx. shipping Dims l x w x h	Approx. Volume
[kg] 15	[mm] 600 x 400 x 250	[m³] 0,06
[lbs] 37	[inch] 23.6 x 15.7 x 9.8	[ft³] 2.12

We reserve the right to update this datasheet at any time w/o prior notice!