

JMS AG
 Jet Maintenance & Service
 Rainer-Haungs-Strasse 42
 77933 Lahr/Germany
 Phone +49 (7821) 9 94 69 – 0
 Fax +49 (7821) 9 94 69 – 100



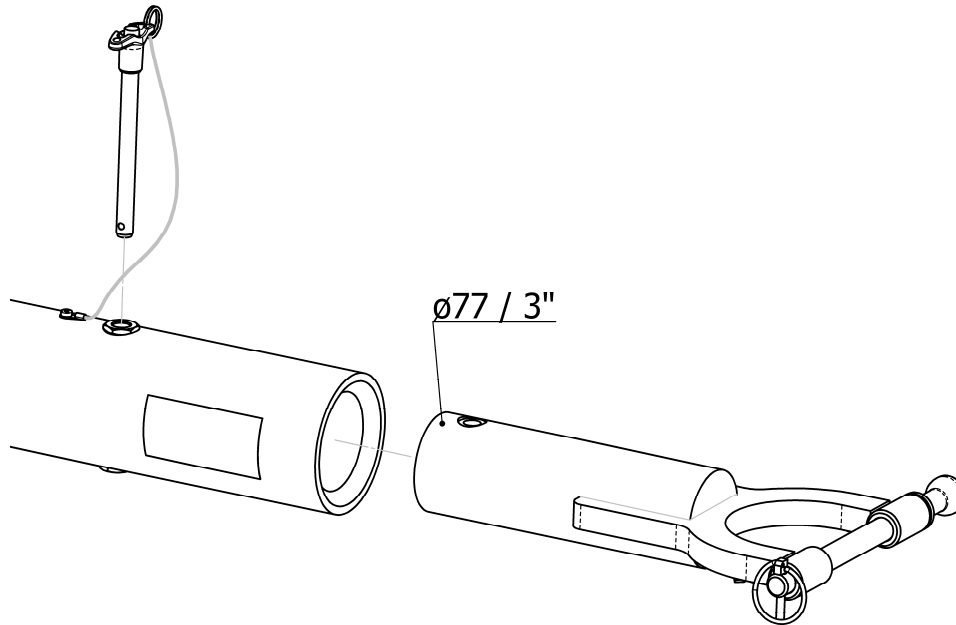
Internet: <http://www.jms.aero/>
 eMail: <mailto:sales@jms.aero>

HRB 705130 Amtsgericht Freiburg i.Br.
 VAT Reg No/USt.-IdNr.: DE270217003

Doc. No. TDS J-TOWhead-D180_R00.doc

Datasheet:

p/n: J-TOWhead-D180



ATTENTION! The combination of J-TOWbiz1 and J-TOWhead-D180 is not suitable in case the helicopter is equipped with a cable cutter!

Features:

- Towhead for **J-TOWbiz1** – Towbar.
Also compatible to other universal towbars (e.g. TronAir) with $\varnothing 77\text{mm} / \varnothing 3''$ adapter system.
- Also compatible to J-TOWbiz2 and J-TOWbiz3 – Towbar and to other universal tow bars with $\varnothing 83\text{ mm} / \varnothing 3 \frac{1}{4}''$ adapter system (additional adapter necessary)
- Quick release pin system for easy towhead replacement
- All steel parts corrosion-resistant

Documentation:

- Technical manual
incl. illustrated spare parts list
- COC Certificate of Conformity
- CE Declaration of Conformity (if applicable)

Helicopter application:

- Mi-8 / Mi-17

Net weight:

- 7 kg / 15 lbs

Shipping information incl. packing:

Approx. Weight	Approx. shipping Dims l x w x h	Approx. Volume
[kg] 30	[mm] 650 x 500 x 350	[m ³] 0,11
[lbs] 66	[inch] 25.6 x 19.7 x 13.8	[ft ³] 3.88

We reserve the right to update this datasheet at any time w/o prior notice!