

JMS AG

Jet Maintenance & Service
 Rainer-Haungs-Strasse 42
 77933 Lahr/Germany
 Phone +49 (7821) 9 94 69 – 0
 Fax +49 (7821) 9 94 69 – 100



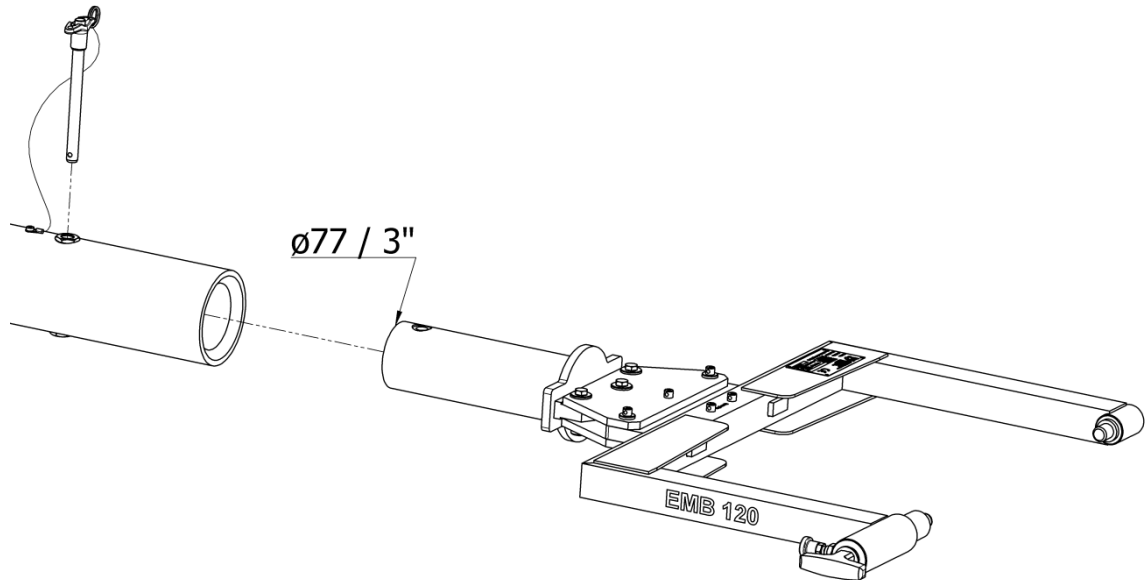
Internet: <http://www.jms.aero/>
 eMail: <mailto:sales@jms.aero>

HRB 705130 Amtsgericht Freiburg i.Br.
 VAT Reg No/USSt.-IdNr.: DE270217003

Doc. No. TDS J-TOWhead-D33_R00.doc

Datasheet:**p/n: J-TOWhead-D33**

Towhead for EMB 120

**Features:**

- Towhead for **J-TOWbiz1** – Towbar. Also compatible to other universal towbars (e.g. TronAir) with $\varnothing 77\text{mm} / \varnothing 3\text{''}$ adapter system.
- Also compatible to J-TOWbiz2 and J-TOWbiz3 – Towbar and to other universal tow bars with $\varnothing 83\text{ mm} / \varnothing 3\frac{1}{4}\text{''}$ adapter system (additional adapter necessary)
- Quick release pin system for easy towhead replacement
- Push/Pull and torque shear pin
- 2 spare shear pins included
- Retaining pin
- All steel parts corrosion-resistant

Net weight:

- 17 kg / 37 lbs

Documentation:

- Technical manual incl. illustrated spare parts list
- COC Certificate of Conformity
- CE Declaration of Conformity (if applicable)

Aircraft application:

- EMB 120

Shear pins:

- 00.38080.0121 “AF” Push/Pull and Torque
- 00.38080.0124 “AF-FB” Retaining pin

Shipping information incl. packing:

Approx. Weight	Approx. shipping Dims l x w x h	Approx. Volume
[kg]	[mm]	[m ³]
41	1200 x 800 x 250	0,24
[lbs]	[inch]	[ft ³]
90	47.2 x 31.5 x 9.8	8.48

We reserve the right to update this datasheet at any time w/o prior notice!