

**JMS AG**  
 Jet Maintenance & Service  
 Rainer-Haungs-Strasse 42  
 77933 Lahr/Germany  
 Phone +49 (7821) 9 94 69 – 0  
 Fax +49 (7821) 9 94 69 – 100



Internet: <http://www.jms.aero/>  
 eMail: <mailto:sales@jms.aero>

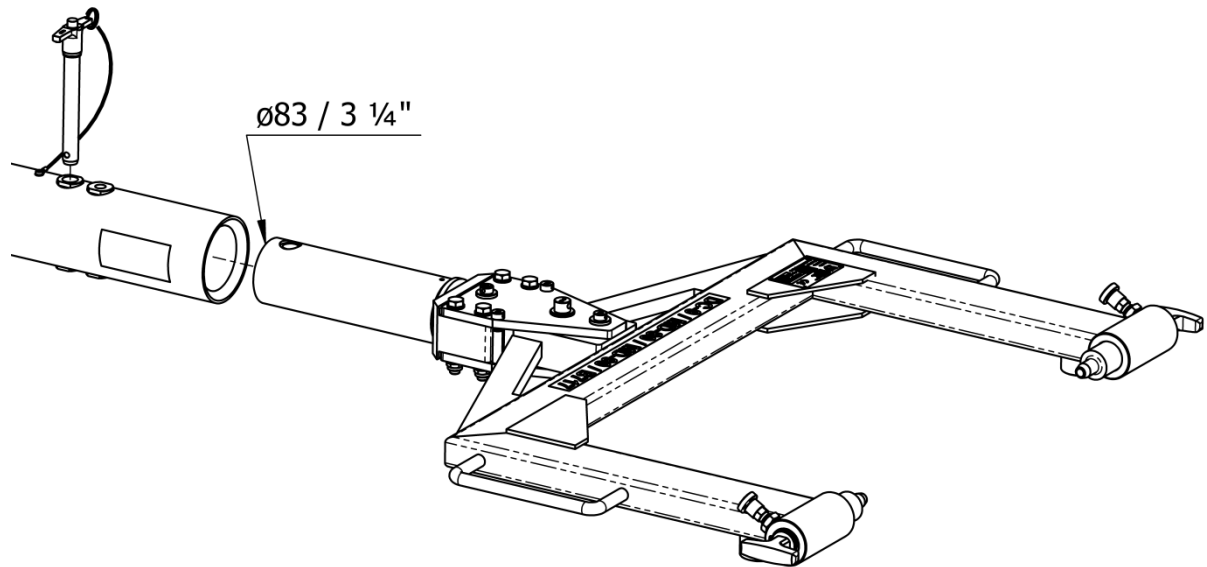
HRB 705130 Amtsgericht Freiburg i.Br.  
 VAT Reg No/USt.-IdNr.: DE270217003

Doc. No. TDS J-TOWhead-E27\_R01.docx

**Datasheet:**

**p/n: J-TOWhead-E27**

Towhead for MD-80 / MD90 / DC-9 / B717



**Features:**

- Towhead for J-TOWbiz2 and J-TOWbiz3 – Towbar.
- Also compatible to other universal towbars
- (e.g. TronAir) with ø83mm/ ø 3 ¼" Adapter system.
- Quick release pin system for easy towhead replacement
- Push/Pull and torque shear pin
- 2 spare shear pins included
- Retaining pin
- All steel parts corrosion-resistant

**Net weight:**

- 40 kg / 88 lbs

**Documentation:**

- Technical manual  
incl. illustrated spare parts list
- COC Certificate of Conformity
- CE Declaration of Conformity  
(if applicable)

**Aircraft application:**

- MD-80 / MD-90
- DC-9
- B717

**Shear pins:**

- 00.37210.0012 "M" for Push/Pull
- 00.37210.0013 "AC" for Torque
- 00.40430.0016 "D-FB" Retaining pin

**Shipping information incl. packing:**

Approx. Weight	Approx. shipping Dims l x w x h	Approx. Volume
[kg] <b>65</b>	[mm] <b>1200 x 1100 x 250</b>	[m <sup>3</sup> ] <b>0,33</b>
[lbs] <b>143</b>	[inch] <b>47 x 43 x 10</b>	[ft <sup>3</sup> ] <b>11.6</b>

We reserve the right to update this datasheet at any time w/o prior notice!