

JMS AG
 Jet Maintenance & Service
 Rainer-Haungs-Strasse 42
 77933 Lahr/Germany
 Phone +49 (7821) 9 94 69 – 0
 Fax +49 (7821) 9 94 69 – 100



Internet: <http://www.jms.aero/>
 eMail: <mailto:sales@jms.aero>

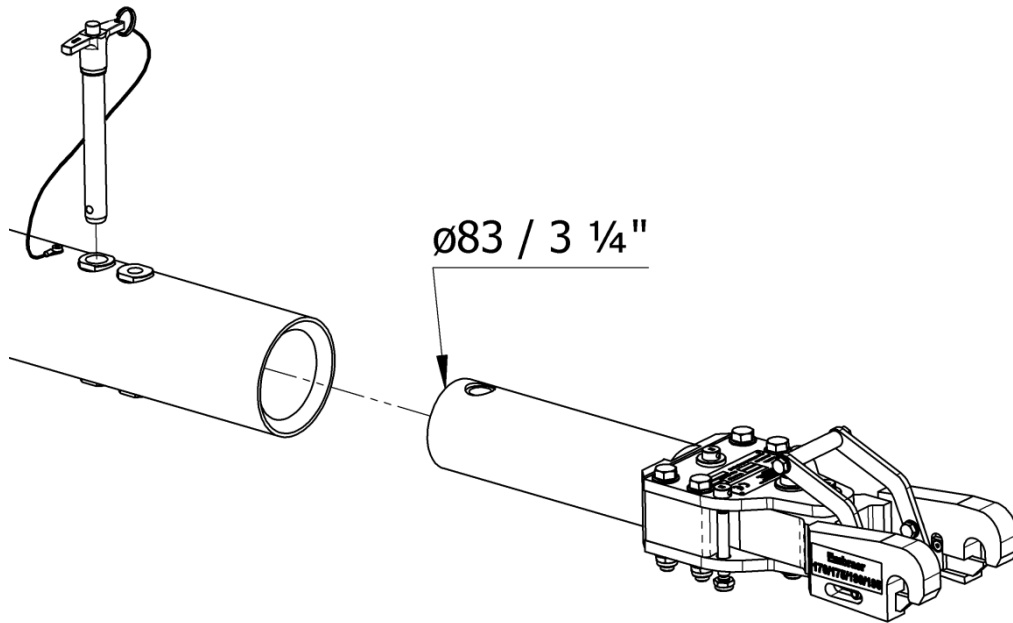
HRB 705130 Amtsgericht Freiburg i.Br.
 VAT Reg No/USSt.-IdNr.: DE270217003

Doc. No. TDS J-TOWhead-E35_R02.doc

Datasheet:

p/n: J-TOWhead-E35

Towhead for Embraer 170/175/190/195



Features:

- Towhead for **J-TOWbiz2-L / J-TOWbiz3** – Towbar. Also compatible to other universal towbars (e.g. TronAir) with ø83 mm/ ø 3 1/4" Adapter system.
- Quick release pin system for easy towhead replacement
- Push/Pull and torque shear pin
- 2 spare shear pins included
- Retaining pin
- All steel parts corrosion-resistant

Documentation:

- Technical manual incl. illustrated spare parts list
- COC Certificate of Conformity
- CE Declaration of Conformity (if applicable)

Aircraft application:

- Embraer 170 / 175
- Embraer 190 / 195

Net weight:

- 16 kg / 35 lbs

Shear pins:

- 00.36910.0012 "D" for Push/Pull
- 00.36910.0013 "E" for Torque
- 00.40430.0016 "D-FB" Retaining pin

Shipping information incl. packing:

Approx. Weight	Approx. shipping Dims l x w x h	Approx. Volume
[kg] 40	[mm] 600 x 250 x 300	[m³] 0,45
[lbs] 88.2	[inch] 23.6 x 9.8 x 11.8	[ft³] 1.6

We reserve the right to update this datasheet at any time w/o prior notice!