

**JMS AG**  
 Jet Maintenance & Service  
 Rainer-Haungs-Strasse 42  
 77933 Lahr/Germany  
 Phone +49 (7821) 9 94 69 – 0  
 Fax +49 (7821) 9 94 69 – 100



Internet: <http://www.jms.aero/>  
 eMail: <mailto:sales@jms.aero>

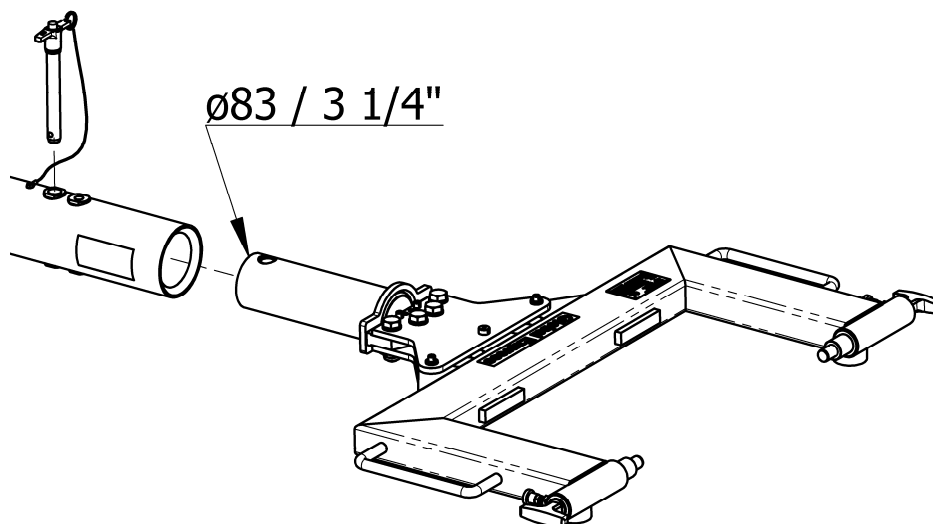
HRB 705130 Amtsgericht Freiburg i.Br.  
 VAT Reg No/USt.-IdNr.: DE270217003

Doc. No. TDS J-TOWhead-E50\_R01.doc

**Datasheet:**

**p/n: J-TOWhead-E50**

Towhead for Bombardier Global (see also aircraft applications)



**Features:**

- Towhead for **J-TOWbiz2** and **J-TOWbiz3** – Towbar. Also compatible to other universal towbars (e.g. TronAir) with  $\varnothing 83\text{mm} / \varnothing 3 \frac{1}{4}''$  Adapter system.
- Quick release pin system for easy towhead replacement
- Push/Pull and torque shear pin
- 2 spare shear pins included
- Retaining pin
- All steel parts corrosion-resistant

**Documentation:**

- Technical manual incl. illustrated spare parts list
- COC Certificate of Conformity
- CE Declaration of Conformity (if applicable)

**Aircraft application:**

- Bombardier Global 5000
- Bombardier Global 7000
- Bombardier Global 8000
- Bombardier Global Express
- Bombardier Global Express XRS

**Net weight:**

- 37 kg / 81 lbs

**Shear pins:**

- 20-00180-0020-022 "AQ" Push/Pull and Torque
- 20-00180-0020-021 "AQ-FB" Retaining pin

**Shipping information incl. packing:**

Approx. Weight	Approx. shipping Dims l x w x h	Approx. Volume
[kg] <b>62</b>	[mm] <b>950 x 1000 x 250</b>	[m <sup>3</sup> ] <b>0,23</b>
[lbs] <b>137</b>	[inch] <b>37 x 39 x 10</b>	[ft <sup>3</sup> ] <b>8,1</b>