

**JMS AG**  
 Jet Maintenance & Service  
 Rainer-Haungs-Strasse 42  
 77933 Lahr/Germany  
 Phone +49 (7821) 9 94 69 – 0  
 Fax +49 (7821) 9 94 69 – 100



Internet: <http://www.jms.aero/>  
 eMail: <mailto:sales@jms.aero>

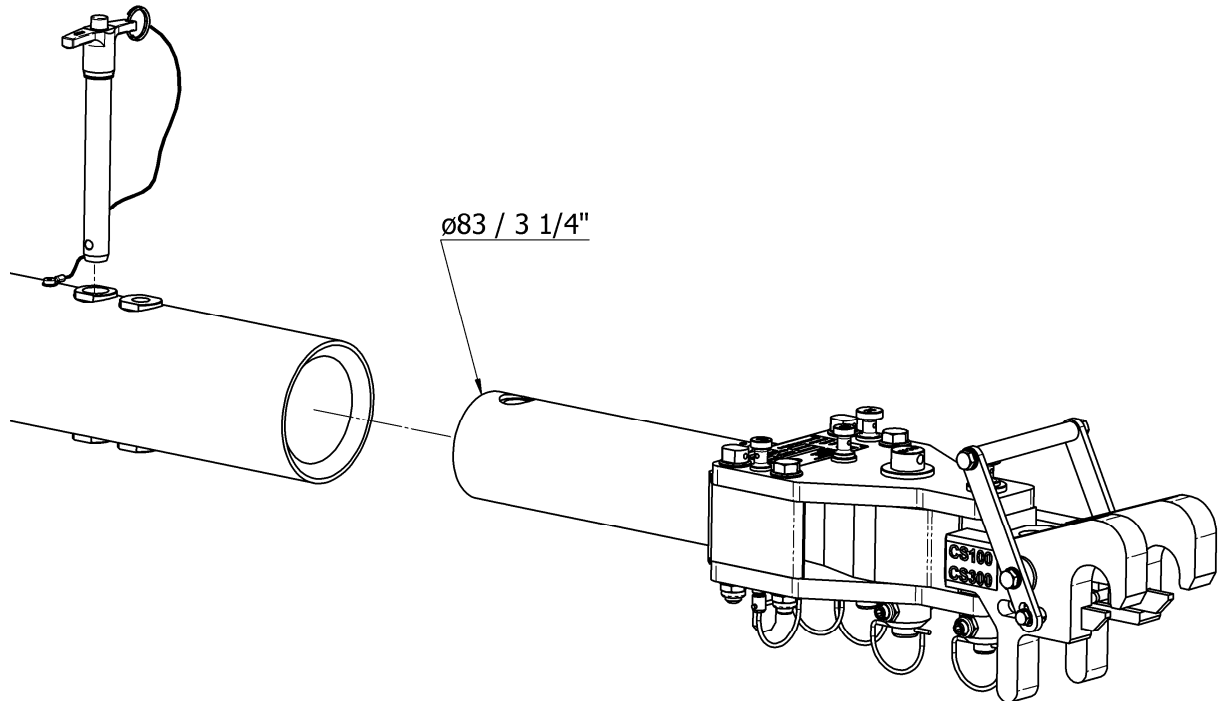
HRB 705130 Amtsgericht Freiburg i.Br.  
 VAT Reg No/USSt.-IdNr.: DE270217003

Doc. No. TDS\_J-TOWhead-E52\_R00.docx

**Datasheet:**

**p/n: J-TOWhead-E52**

Towhead for CS100 / CS300



**Features:**

- Towhead for **J-TOWbiz2-L** and **J-TOWbiz3**. Also compatible to other universal towbars (e.g. TronAir) with  $\varnothing 83$  mm/  $\varnothing 3 \frac{1}{4}$ " Adapter system.
- Quick release pin system for easy towhead replacement
- Push/Pull and torque shear pin
- 2 spare shear pins included
- Retaining pin
- All steel parts corrosion-resistant

**Documentation:**

- Technical manual incl. illustrated spare parts list
- COC Certificate of Conformity
- CE Declaration of Conformity (if applicable)

**Aircraft application:**

- CS100
- CS300

**Shear pins:**

- 20-01080-0020-022 "BC" Push/Pull
- 20-01080-0020-027 "BD" Torque
- 20-01080-0020-021 "BC-FB" Retaining pin

**Net weight:**

- 26 kg / 57 lbs

**Shipping information incl. packing:**

Approx. Weight	Approx. shipping Dims l x w x h	Approx. Volume
[kg]	[mm]	[m <sup>3</sup> ]
<b>19</b>	<b>600 x 400 x 300</b>	<b>0,072</b>
[lbs]	[inch]	[ft <sup>3</sup> ]
<b>42</b>	<b>23.6 x 15.7 x 11.8</b>	<b>2.54</b>

We reserve the right to update this datasheet at any time w/o prior notice!