

JMS AG
 Jet Maintenance & Service
 Rainer-Haungs-Strasse 42
 77933 Lahr/Germany
 Phone +49 (7821) 9 94 69 – 0
 Fax +49 (7821) 9 94 69 – 100



Internet: <http://www.jms.aero/>
 eMail: <mailto:sales@jms.aero>

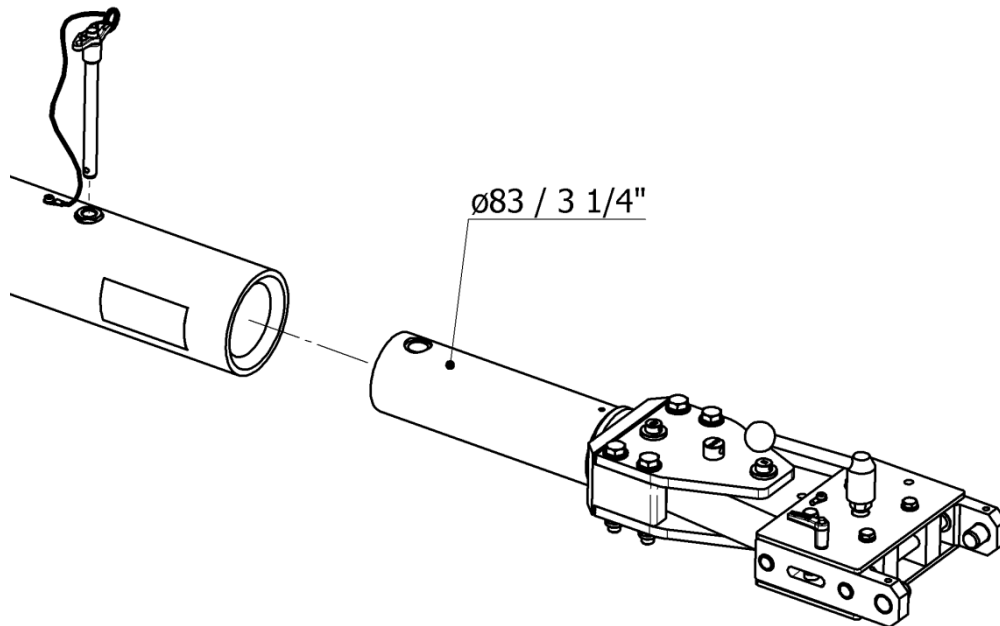
HRB 705130 Amtsgericht Freiburg i.Br.
 VAT Reg No/USt.-IdNr.: DE270217003

Doc. No. TDS J-TOWhead-E83_R00.docx

Datasheet:

p/n: J-TOWhead-E83

Towhead for Tupolev TU-134



Features:

- Towhead for **J-TOWbiz2-L / J-TOWbiz3** Towbar
 Also compatible to other universal towbars (e.g. TronAir) with $\varnothing 83\text{mm} / \varnothing 3 \frac{1}{4}"$ Adapter system.
- Quick release pin system for easy towhead replacement
- Push/Pull and torque shear pin
- 2 spare shear pins included
- Retaining pin
- All steel parts corrosion-resistant

Documentation:

- Technical manual
 incl. illustrated spare parts list
- COC Certificate of Conformity
- CE Declaration of Conformity (if applicable)

Aircraft application:

- TU-134

Net weight:

- 22 kg / 48,5 lbs

Shear pins:

- 00.36910.0013 "E" for Push/Pull
- 00.40780.0012 "AD" for Torque
 20-00830-0020-021 "AC-FB" Retaining pin

Shipping information incl. packing:

Approx. Weight	Approx. shipping Dims l x w x h	Approx. Volume
[kg] 25	[mm] 800 x 400 x 250	[m ³] 0,08
[lbs] 55	[inch] 31.5 x 15.7 x 9.8	[ft ³] 2.83

We reserve the right to update this datasheet at any time w/o prior notice!